

V5211F

THREADED END CONNECTION HIGH CLOSE-OFF PRESSURE RATING LINEAR VALVE

SPECIFICATION DATA



Features

- Bronze body with BSPT-threaded connections.
- High close-off pressure rating, couple with 600Nm actuator (ML6420/ML7420).
- Low seat leakage rate (≤ 0.05 percent of K_{vs}).
- Spring-loaded, self-adjusting packing.
- Accurate positioning to ensure state of the art temperature control.
- Sizes range from DN65...DN80.

Specifications

Action:	Stem down to close
Nominal pressure rating:	PN16
Flow characteristic:	See Fig. 2 Equal percentage
Rangeability:	50:1
Leakage rate:	$\leq 0.05\%$ of k_{vs}
Stroke:	20 mm
Valve body:	
Pipe connections:	Internal BSPT-threaded
Material:	Bronze
Dimensions:	See Fig. 1
Trim:	
Seat:	Bronze
Plug:	Stainless Steel, Replaceable
Stem:	Stainless Steel
Packing:	Spring loaded PTFE V-rings
Medium temperature and pressure:	2 to 120 °C max. 1495 kPa
Water & Steam	120 to 180 °C max. 1100 kPa

Application

Single seated control or shutoff valve for:

- Hot water
- Chilled water
- Domestic Hot Water
- Steam

in Heating, Ventilating, Air Conditioning Systems, Open Circuits

To be operated by

- Electric Linear Actuators as
ML6420 / 25
ML7420 / 25

Sizes and flow capacities

Order Number	Application	Valve size	K _{Vs}
V5211F1004	Water	DN65	54.0
V5211F2002	Steam		
V5211F1012	Water	DN80	85.7
V5211F2010	Steam		

Close-off Pressure Ratings in kPa

Electric Actuators

Actuator		Valve size	
Type	Force	DN65	DN80
ML6420 / ML6425	600Nm	1000	1000
ML7420 / ML7425			

Dimension (in in.)

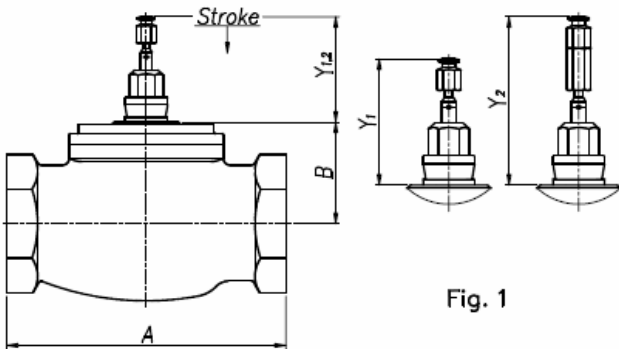


Fig. 1

Installation

Water should meet VDI2035 requirements.

Do not install valve with stem below the horizontal.

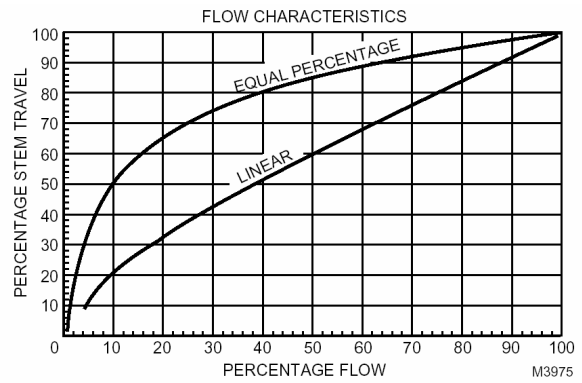
Fluid flow must correspond with the arrow direction on the valve body.

The installation of a strainer is strongly recommended.

Spare Parts

Repair packing kit
14003295-004-2

Fig. 2



Valve Size	A	B	Y ₁	Y ₂ *
			Stem down	
DN65	7-1/2	2-3/4	3-1/2	5-1/4
DN80	8-7/8	3-3/16		

Honeywell

Automation and Control Solutions

Honeywell Taiwan Ltd.
10F, 168 Lien Cheng Road
Chung Ho City, Taipei County, Taiwan
Phone: +886-2-2245 1000
Fax: +886-2-2245 3241

Subject to change without notice. Printed in Taiwan